



SELECTION/DIMENSIONS

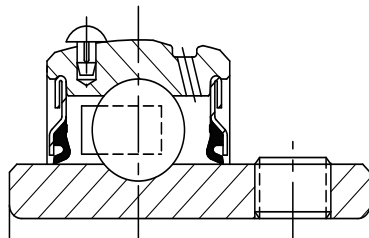
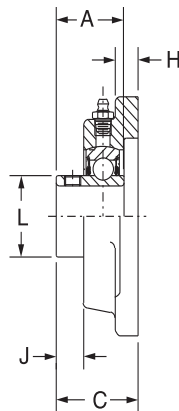
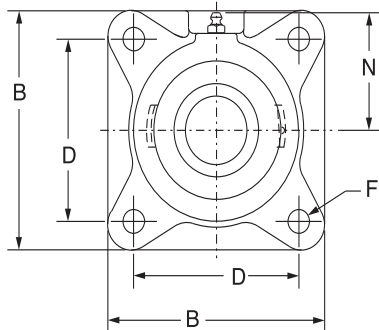
Setscrew Ball Bearings

SCAH NORMAL DUTY AIR HANDLING 4-BOLT FLANGE BEARINGS

Lube Fitting Thread Size:

203 - 204 series - 1/4-28 tapered thread

207 - 207 series - 1/8-27 NPT



Series	Shaft Size	Part No.	Description
204	1/2	051931	F4B-SCAH-008L
	5/8	050130	F4B-SCAH-010L
	3/4	123740	F4B-SCAH-012
	20mm	@	F4B-SCAH-20M
205	7/8	068301	F4B-SCAH-014
	15/16	124246	F4B-SCAH-015
	1	123741	F4B-SCAH-100
	25mm	058736	F4B-SCAH-25M
206	1-1/16	@	F4B-SCAH-101
	1-1/8	064335	F4B-SCAH-102
	1-3/16	123742	F4B-SCAH-103
	1-1/4	076609	F4B-SCAH-104S
207	30mm	054726	F4B-SCAH-30M
	1-1/4	123743	F4B-SCAH-104
	1-5/16	@	F4B-SCAH-105
	1-3/8	068785	F4B-SCAH-106
208	1-7/16	123744	F4B-SCAH-107
	35mm	064911	F4B-SCAH-35M
	1-1/2	123745	F4B-SCAH-108
	1-5/8	@	F4B-SCAH-110
	40mm	064912	F4B-SCAH-40M

@ Assembled to order

Series	Shaft Size	Weight lbs. kgs.	A	B	C	D	F Bolt Dia.	H	J	L	N
204	1/2	1.8	1.23	3.38	1.34	2.50	3/8	0.44	0.36	1.12	1.94
	5/8	1.7									
	3/4	1.6									
	20mm	0.8	31.2	85.9	34.0	63.5	M10	11.2	9.1	28.4	49.3
205	7/8	2.0	1.34	3.75	1.37	2.75	7/16	0.50	0.42	1.32	2.06
	15/16	1.9									
	1	1.8									
	25mm	0.9	34.0	95.3	34.8	69.9	M10	12.7	10.7	33.5	52.3
206	1-1/16	2.9	1.52	4.25	1.56	3.25	7/16	0.50	0.49	1.57	2.19
	1-1/8	2.8									
	1-3/16	2.7									
	1-1/4	2.6									
207	30mm	1.3	38.6	108.0	39.6	82.6	M10	12.7	12.4	39.9	55.6
	1-1/4	4.0	1.71	4.75	1.75	3.63	1/2	0.56	0.53	1.84	2.44
	1-5/16	3.9									
	1-3/8	3.8									
208	1-7/16	3.7									
	35mm	1.7	43.4	120.7	44.5	92.1	M12	14.2	13.5	46.7	62.0
	1-1/2	4.8	1.94	5.13	1.98	4.00	1/2	0.56	0.63	2.05	2.38
	1-5/8	4.7									
	40mm	2.1	49.3	130.3	50.3	101.6	M12	14.2	16.0	52.1	60.5

FEATURES/BENEFITS PAGE B4-3	HOW TO ORDER/NOMENCLATURE PAGE B4-5	SELECTION PAGE B4-6	ACCESSORIES PAGE B4-98
--------------------------------	--	------------------------	---------------------------

Bearing Reference Guide

ULTRA KLEEN

E-Z KLEEN

Extreme Duty

Setscrew Ball Bearing

GRIP TIGHT

D-LOK Ball Bearing

SELECTION/DIMENSIONS



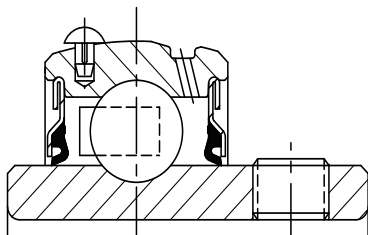
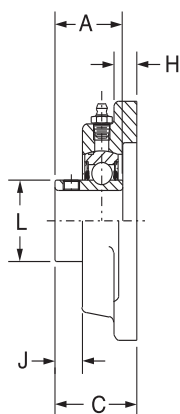
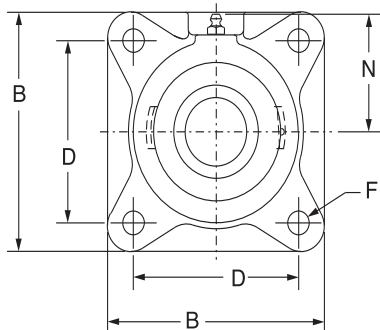
Setscrew Ball Bearings

SCAH NORMAL DUTY AIR HANDLING 4-BOLT FLANGE BEARINGS

Lube Fitting Thread Size:

203 - 204 series - 1/4-28 tapered thread

207 - 207 series - 1/8-27 NPT



Series	Shaft Size	Part No.	Description
209	1-5/8	@	F4B-SCAH-110L
	1-11/16	123746	F4B-SCAH-111
	1-3/4	123747	F4B-SCAH-112
	45mm	@	F4B-SCAH-45M
210	1-15/16	123748	F4B-SCAH-115
	2	064853	F4B-SCAH-200
	50mm	064913	F4B-SCAH-50M
211	2	068973	F4B-SCMAH-200
	2-3/16	123749	F4B-SCAH-203
	2-1/4	@	F4B-SCAH-204
	55mm	@	F4B-SCAH-55M
212	2-1/4	064586	F4B-SCMAH-204
	2-7/16	123750	F4B-SCAH-207
	60mm	074008	F4B-SCAH-60M
214	2-1/2	050662	F4B-SCMAH-208
	2-11/16	124395	F4B-SCAH-211
	70mm	@	F4B-SCAH-70M
215	2-15/16	123751	F4B-SCAH-215
	75mm	@	F4B-SCAH-75M

@ Assembled to order

Series	Shaft Size	Weight lbs. kgs.	A	B	C	D	F Bolt Dia.	H	J	L	N
209	1-5/8	6.1	1.94	5.38	1.99	4.13	1/2	0.63	0.59	2.22	2.75
	1-11/16	6.0									
	1-3/4	5.9									
	45mm	2.7	49.3	136.7	50.5	104.8	M14	16.0	15.0	56.4	69.9
210	1-15/16	6.7	1.94	5.63	2.02	4.38	1/2	0.63	0.55	2.43	2.88
	2	6.6									
	50mm	3.0	49.3	143.0	51.3	111.1	M16	16.0	14.0	61.7	73.2
211	2	9.3	2.22	6.50	2.28	5.13	5/8	0.69	0.68	2.71	3.25
	2-3/16	9.0									
	2-1/4	8.9									
	55mm	4.1	56.4	165.1	57.9	130.2	M16	17.5	17.3	68.8	82.6
212	2-1/4	11.1	2.31	6.88	2.38	5.63	5/8	0.69	0.66	2.97	3.50
	2-7/16	10.6									
	60mm	6.0	58.7	174.8	60.5	142.9	M16	17.5	16.8	75.4	88.9
214	2-1/2	16.0	2.54	7.38	2.78	5.88	5/8	0.69	0.60	3.31	3.69
	2-11/16	15.4									
	70mm	6.9	64.5	187.5	70.6	149.2	M16	17.5	15.2	84.1	93.7
215	2-15/16	17.6	2.33	7.75	2.88	6.00	3/4	1.00	0.63	3.62	3.88
	75mm	8.0	59.2	196.9	73.2	152.4	M18	25.4	16.0	91.9	98.6

FEATURES/BENEFITS PAGE B4-3	HOW TO ORDER/NOMENCLATURE PAGE B4-5	SELECTION PAGE B4-6	ACCESSORIES PAGE B4-98
--------------------------------	--	------------------------	---------------------------



SELECTION/DIMENSIONS

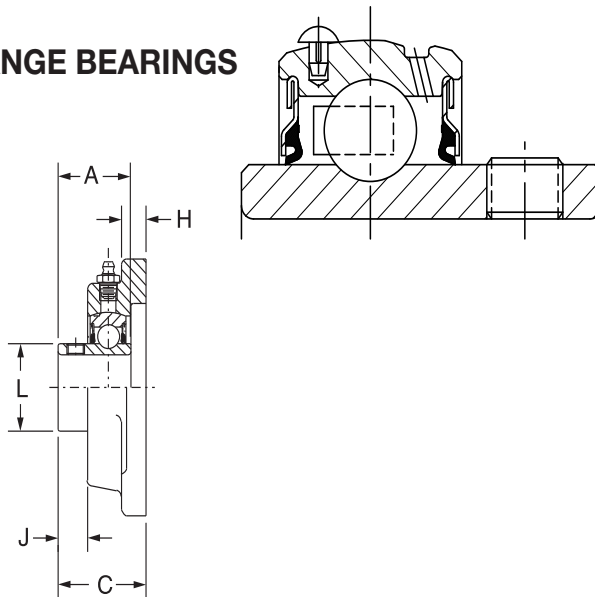
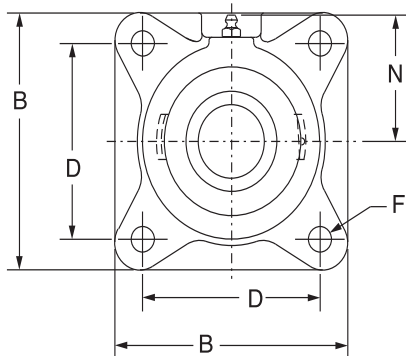
Setscrew Ball Bearings

SCMAH AIR HANDLING MEDIUM DUTY 4-BOLT FLANGE BEARINGS

Lube Fitting Thread Size:

203 - 204 series - 1/4-28 tapered thread

207 - 207 series - 1/8-27 NPT



Series	Shaft Size	Part No.	Description
206	1	053901	F4B-SCMAH-100
	25mm	@	F4B-SCMAH-25M
207	1-3/16	050132	F4B-SCMAH-103
	1-1/4	123743	F4B-SCMAH-104
	30mm	@	F4B-SCMAH-30M
208	1-7/16	123760	F4B-SCMAH-107
	35mm	@	F4B-SCMAH-35M
209	1-1/2	123761	F4B-SCMAH-108
	1-5/8	@	F4B-SCMAH-110L
	40mm	@	F4B-SCMAH-40M
210	1-11/16	123762	F4B-SCMAH-111
	1-3/4	123763	F4B-SCMAH-112
	45mm	067829	F4B-SCMAH-45M
211	1-15/16	123764	F4B-SCMAH-115
	2	068973	F4B-SCMAH-200
	50mm	075020	F4B-SCMAH-50M
212	2-3/16	123765	F4B-SCMAH-203
	2-1/4	064586	F4B-SCMAH-204
	55mm	@	F4B-SCMAH-55M
214	2-7/16	123766	F4B-SCMAH-207
	2-1/2	050662	F4B-SCMAH-208
	65mm	@	F4B-SCMAH-65M
215	2-11/16	123767	F4B-SCMAH-211
	70mm	@	F4B-SCMAH-70M
216	2-15/16	123768	F4B-SCMAH-215
	3	073911	F4B-SCMAH-300
	75mm	@	F4B-SCMAH-75M
218	3-7/16	123769	F4B-SCMAH-307
	3-1/2	057709	F4B-SCMAH-308
	85mm	@	F4B-SCMAH-85M

@ Assembled to order

FEATURES/BENEFITS
PAGE B4-3

HOW TO ORDER/NOMENCLATURE
PAGE B4-5

SELECTION
PAGE B4-6

ACCESSORIES
PAGE B4-98

SELECTION/DIMENSIONS



Setscrew Ball Bearings

SCMAH AIR HANDLING MEDIUM DUTY 4-BOLT FLANGE BEARINGS

Series	Shaft Size	Weight lbs. kgs.	A	B	C	D	F Bolt Dia.	H	J	L	N
206	1	3.0	1.52	4.25	1.56	3.25	7/16	0.50	0.49	1.57	2.19
	25mm	1.3	38.6	108.0	39.6	82.6	M10	12.7	12.4	39.9	55.6
207	1-3/16	4.1	1.71	4.75	1.75	3.63	1/2	0.56	0.53	1.84	2.44
	1-1/4	30mm	1.7	43.4	120.7	44.5	92.1	M12	14.2	13.5	46.7
208	1-7/16	5.0	1.94	5.13	1.98	4.00	1/2	0.56	0.63	2.05	2.38
	35mm	2.1	49.3	130.3	50.3	101.6	M12	14.2	16.0	52.1	60.5
209	1-1/2	6.1	1.94	5.38	1.99	4.13	1/2	0.63	0.59	2.22	2.75
	1-5/8	40mm	2.7	49.3	136.7	50.5	104.8	M14	16.0	15.0	56.4
210	1-11/16	7.1	1.94	5.63	2.02	4.38	1/2	0.63	0.55	2.43	2.88
	1-3/4	45mm	3.0	49.3	143.0	51.3	111.1	M16	16.0	14.0	61.7
211	1-15/16	9.5	2.22	6.50	2.28	5.13	5/8	0.69	0.68	2.71	3.25
	2	50mm	4.1	56.4	165.1	57.9	130.2	M16	17.5	17.3	68.8
212	2-3/16	11.3	2.31	6.88	2.38	5.63	5/8	0.69	0.66	2.97	3.50
	2-1/4	55mm	6.0	58.7	174.8	60.5	142.9	M16	17.5	16.8	75.4
214	2-7/16	16.2	2.54	7.38	2.78	5.88	5/8	0.69	0.60	3.31	3.69
	2-1/2	65mm	7.3	64.5	187.5	70.6	149.2	M16	17.5	15.2	84.1
215	2-11/16	18.3	2.33	7.75	2.88	6.00	3/4	1.00	0.63	3.62	3.88
	70mm	8.0	59.2	196.9	73.2	152.4	M18	25.4	16.0	91.9	98.6
216	2-15/16	21.5	2.38	7.75	3.09	6.00	3/4	0.88	0.59	3.83	4.09
	3	75mm	9.4	60.5	196.9	78.5	152.4	M18	22.4	15.0	97.3
218	3-7/16	28.0	2.56	8.44	3.38	6.75	3/4	1.00	0.60	4.35	4.63
	3-1/2	85mm	12.2	65.0	214.4	85.9	171.5	M18	25.4	15.2	110.5

FEATURES/BENEFITS
PAGE B4-3HOW TO ORDER/NOMENCLATURE
PAGE B4-5SELECTION
PAGE B4-6ACCESSORIES
PAGE B4-98

B4-63